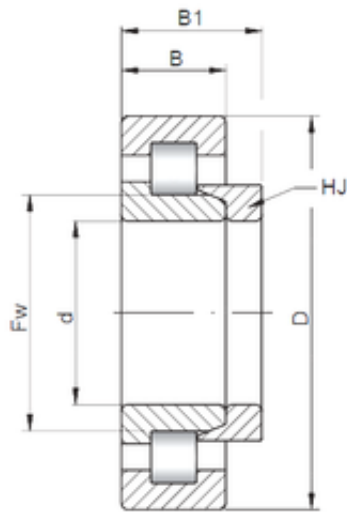




PRECISION BEARING ACCESSORIES SPAIN C...



110 mm x 200 mm x 38 mm Loyal NH222 E cylindrical roller bearings

Bearing No. NH222 E

Size	110x200x38 mm
Bore Diameter	110 mm
Outer Diameter	200 mm
Width	38 mm
d	110 mm
Fw	133 mm
D	200 mm
B	38 mm
C	38 mm
B1	11 mm
B2	17 mm
Weight	5,52 Kg
Basic dynamic load rating (C)	293 kN
Basic static load rating (C0)	365 kN
(Grease) Lubrication Speed	3100 r/min

NH222 E Bearing 2D drawings and 3D CAD models