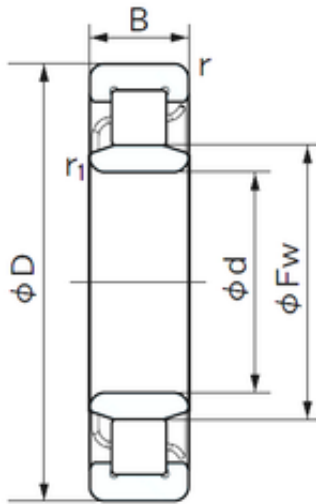




PRECISION BEARING ACCESSORIES SPAIN C...



190 mm x 340 mm x 55 mm NACHI NU 238
cylindrical roller bearings

Bearing No. NU 238

Size	190x340x55 mm
Bore Diameter	190 mm
Outer Diameter	340 mm
Width	55 mm
d	190 mm
Fw	231 mm
D	340 mm
B	55 mm
r min.	4 mm
r1 min.	4 mm
Weight	22.6 Kg
Basic dynamic load rating (C)	555 kN
Basic static load rating (C0)	770 kN
(Grease) Lubrication Speed	1600 r/min

NU 238 Bearing 2D drawings and 3D CAD models