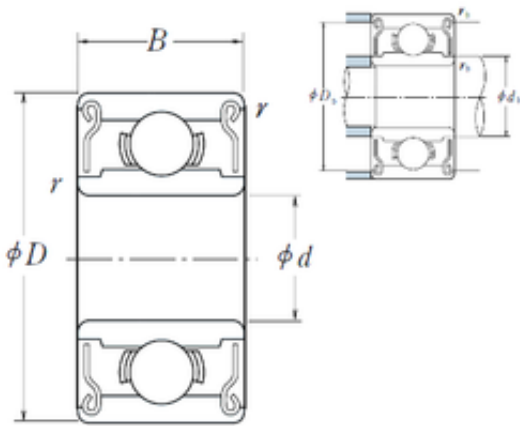




PRECISION BEARING ACCESSORIES SPAIN C...



9 mm x 24 mm x 7 mm ISO 609ZZ deep groove ball bearings

Bearing No. 609ZZ

Size	9x24x7 mm
Bore Diameter	9 mm
Outer Diameter	24 mm
Width	7 mm
d	9 mm
D	24 mm
B	7 mm
C	7 mm
r min.	0,3 mm

609ZZ Bearing 2D drawings and 3D CAD models